

Mizu, flowing *light.*

Inspired by the tranquil and mesmerizing light refractions created by water, Mizu is a customizable pendant light from Terzani. Like water droplets, no two Mizu are alike, each crystal shape is unique and made meticulously by hand. Using only the clearest crystal, Mizu perfectly emulates water's refraction of light, casting amazing patterns around the room, reminiscent of flowing water. Available in clear, silver dust, gold, cognac and champagne finish. Design Nicolas Terzani.







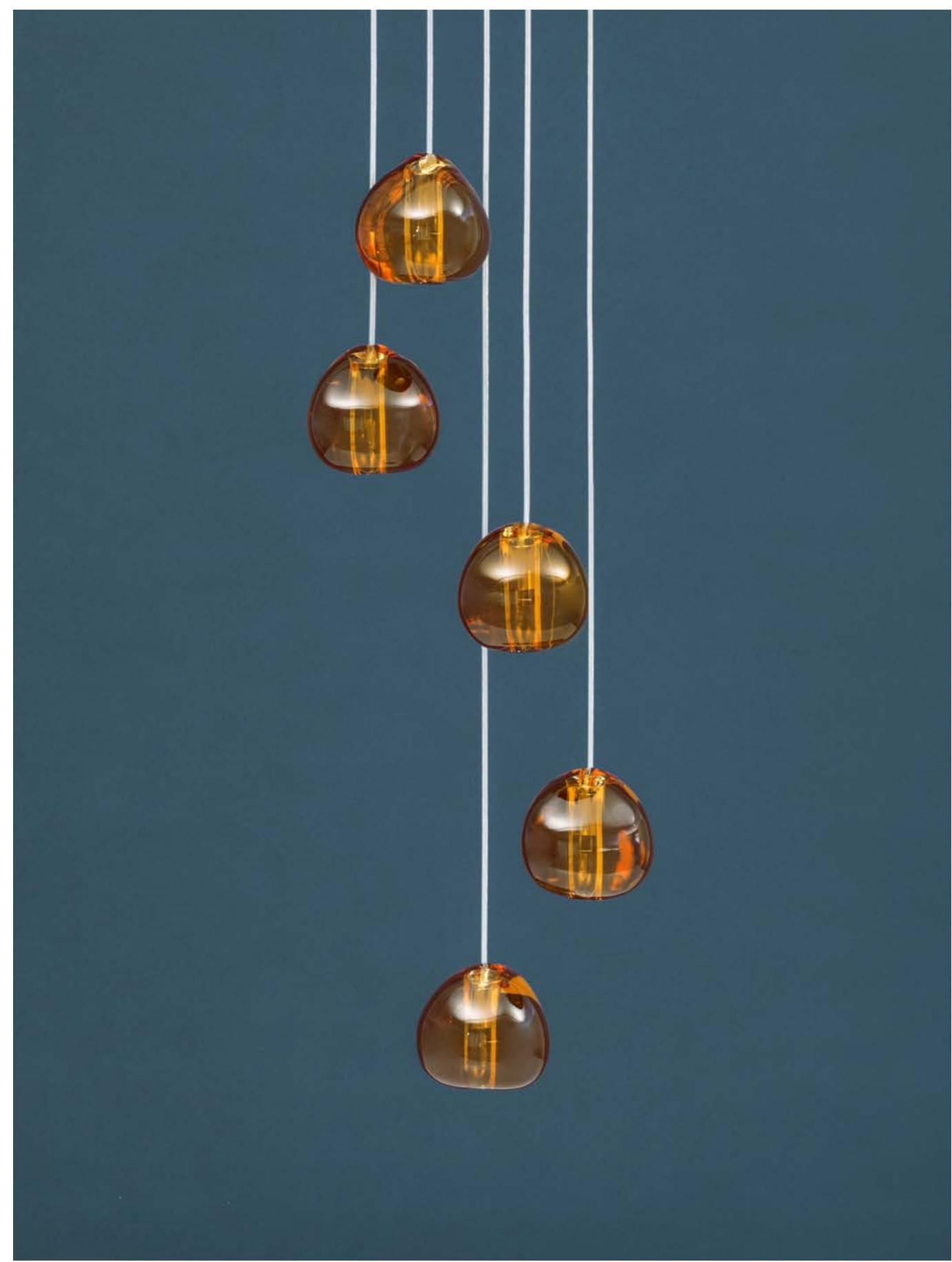












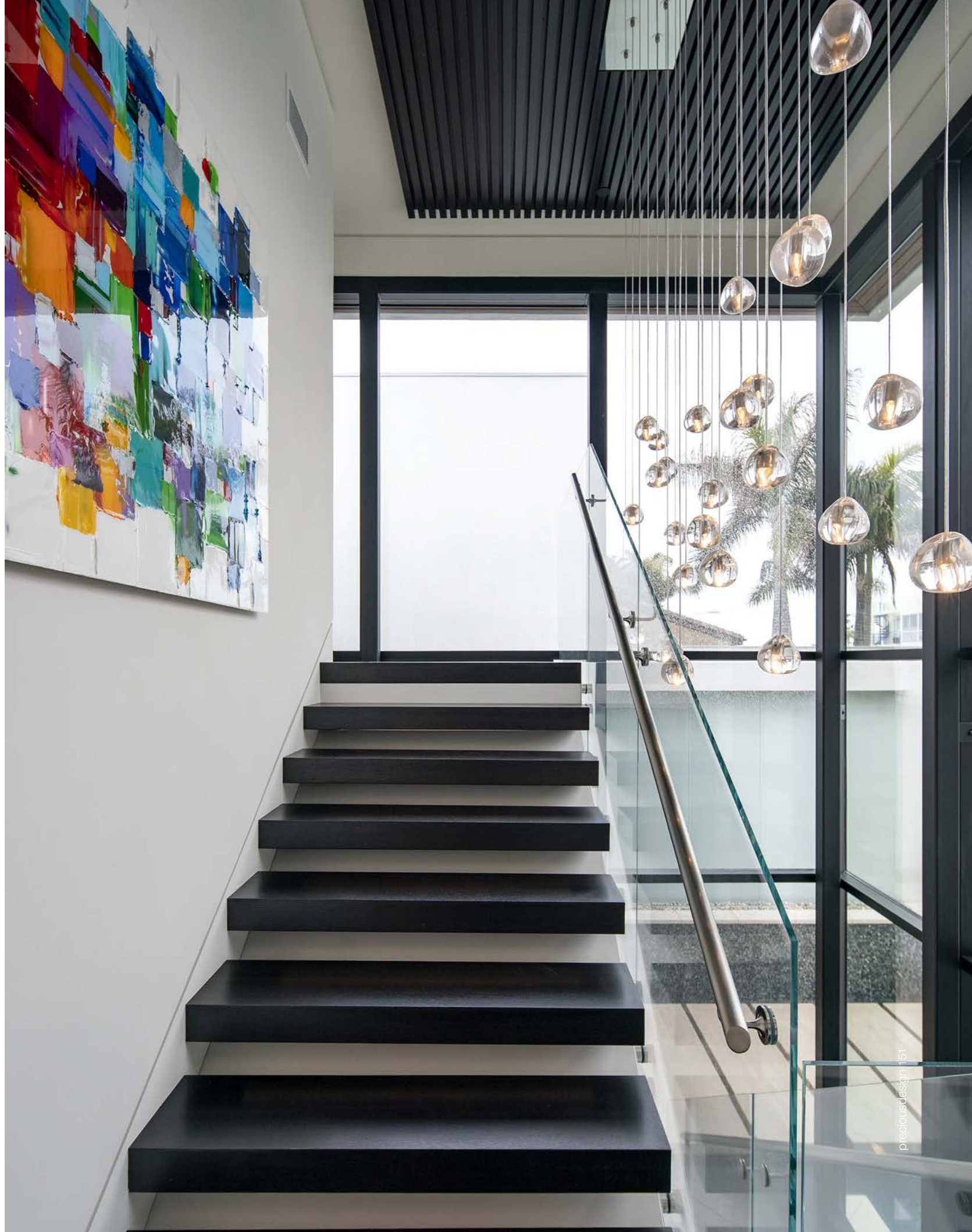




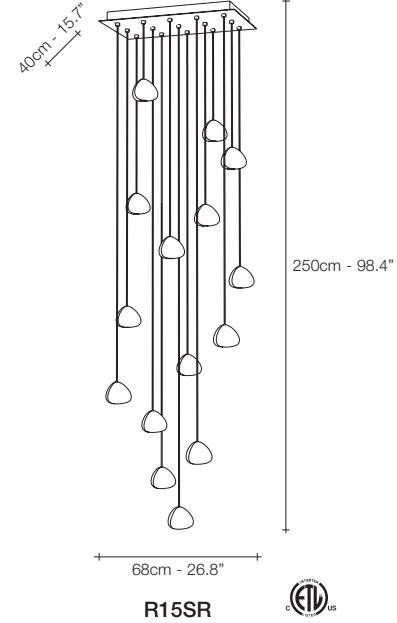
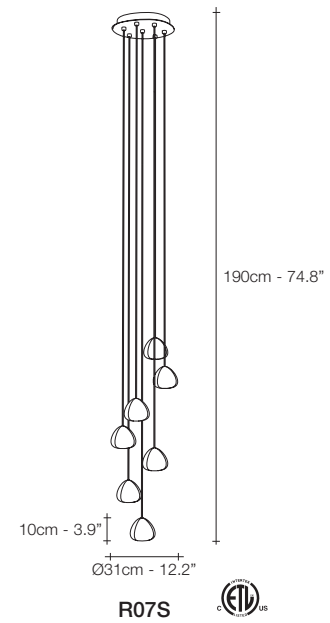
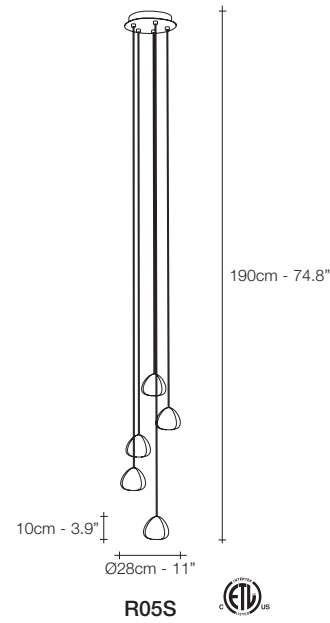
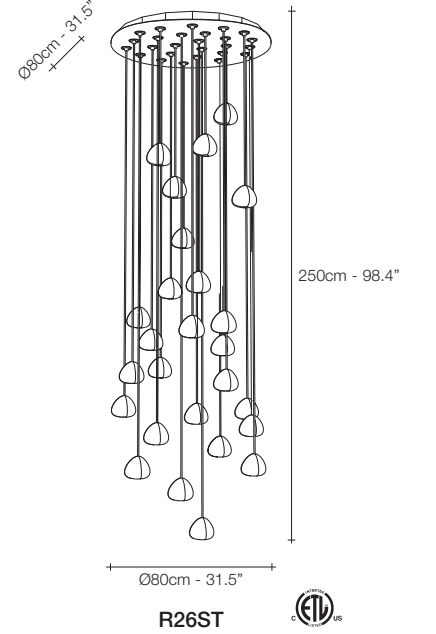
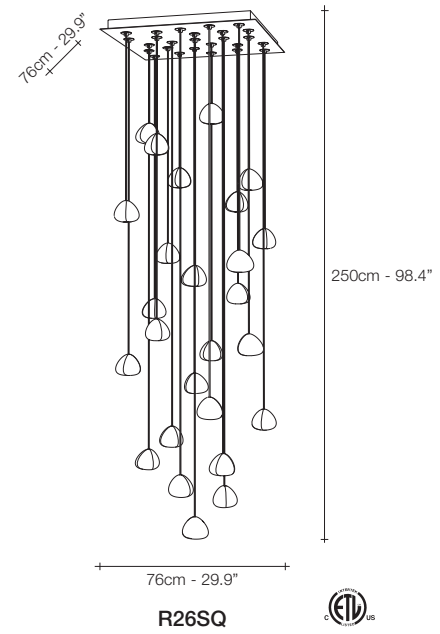
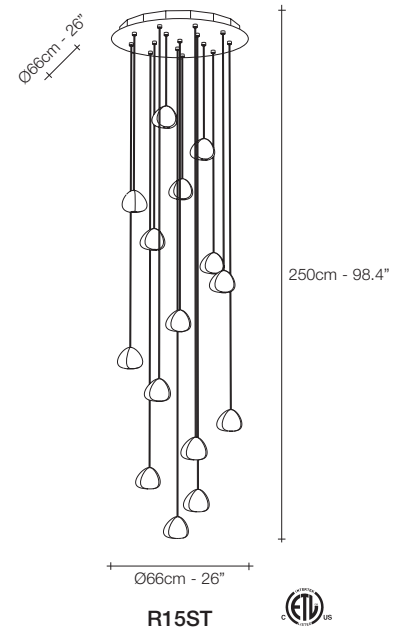
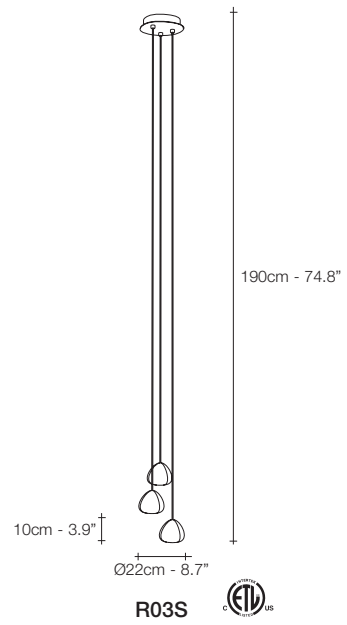
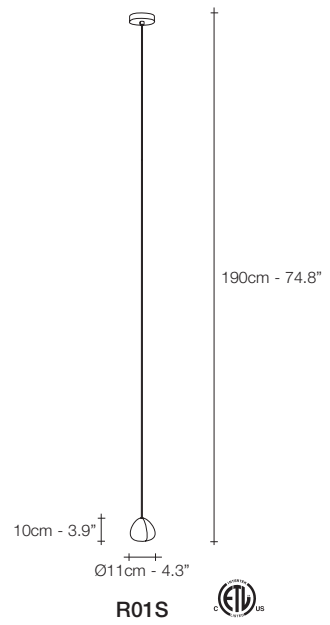
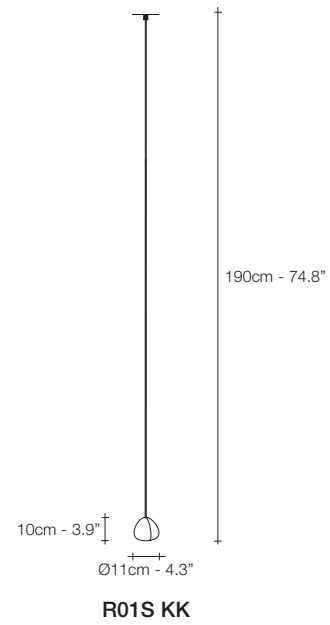












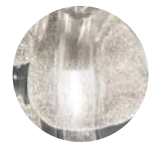
CRYSTAL



CHAMPAGNE CRYSTAL



COGNAC CRYSTAL



SILVER DUST CRYSTAL



GOLD CRYSTAL

	R01S KK	R01S	R03S	R05S	R07S	R15SR	R15ST	R26SQ	R26ST
230V	G4 HALOGEN	10W	3x10W	5x10W	7x10W	15x10W	15x10W	26x10W	26x10W
	G4 LED	2W	3x2W	5x2W	7x2W	15x2W	15x2W	26x2W	26x2W
	Replaceable LED module	1,5W	3x1,5W	5x1,5W	7x1,5W	15x1,5W	15x1,5W	26x1,5W	26x1,5W
		146lm	438lm	730lm	1022lm	2190lm	2190lm	3796lm	3796lm
		129lm	387lm	645lm	903lm	1935lm	1935lm	3354lm	3354lm
	Dimmable	IGBT 10-100kΩ 0/1-10V PUSH/DALI	IGBT 1-10V PUSH/DALI	IGBT 0/1-10V 10V PWM PUSH/DALI	IGBT 0/1-10V PWM PUSH/DALI	IGBT 0/1-10V PWM PUSH/DALI	IGBT 0/1-10V PWM PUSH/DALI	IGBT 0/1-10V PWM PUSH/DALI	IGBT 0/1-10V PWM PUSH/DALI
120V	G4 XENON	10W	3x10W	5x10W	7x10W	15x10W	15x10W	26x10W	26x10W
	G4 LED	2W	3x2W	5x2W	7x2W	15x2W	15x2W	26x2W	26x2W
	Dimmable	ELV	ELV	ELV	ELV	ELV	ELV	ELV	ELV

Mizu can be manufactured to work with integrated LED 3000K or 2700K (not ETL). Different dimming options on request